

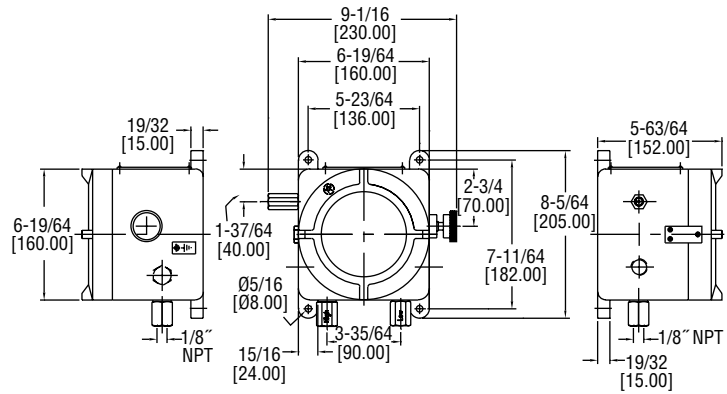
SERIES AT21823



PRESSURE

ATEX APPROVED 1823 DIFFERENTIAL PRESSURE SWITCH

The 1823 in Flame-Proof ATEX Enclosure



Essential for industrial environments, the ATEX approved **SERIES AT21823** combines small size with 2% repeatability. Set point adjustment inside the switch allows for set point settings across 9 ranges from the low of .07 in w.c. to a maximum 85 in w.c. differential pressure. Series AT21823 flame-proof ATEX enclosures are available in aluminum and are ideal for low pressure hazardous area applications. Various housing options such as an overpressure relief valve or external setpoint adjustment knob are available. External setpoint knob allows adjustment without opening the enclosure.

IMPORTANT NOTES FOR INSTALLATION:

- Cables must be fitted through 1/2" NPT cable gland or ATEX conduit (not supplied with instrument).
- Make sure after cabling to close tight cover and cable gland, in order to keep IP66 rating (IP65 with option OPV, overpressure relief valve).
- Open cover only after de-energizing instrument.
- **Attention:** Check local safety rules and warnings on unit and manual for a correct use of the instrument in hazardous area.

SPECIFICATIONS

Service: Air and non-combustible, compatible gases.
Wetted Materials: Consult factory.
Temperature Limits: -30 to 180°F (-34 to 82.2°C); 1823-00, -20 to 180°F (-28.9 to 82.2°C); Case: -76 to 140°F (-60 to 60°C) (Note: Product temperature limits differ from case).
Pressure Limits: 10 psig (68.95 kPa) continuous, 25 psig (172.4 kPa) surge.
Switch Type: SPDT.
Repeatability: ±2% FS.
Electrical Rating: 15 A @ 120 to 480 VAC, 60 Hz. Resistive 1/8 HP @ 125 VAC, 1/4 HP @ 250 VAC, 60 Hz. De-rate to 10 A for operation at high cycle rates.
Mounting Orientation: Diaphragm in vertical position.
Set Point Adjustment: Screw type inside mounting spud internal to switch. External setpoint adjustment knob optional.
Enclosure Rating: IP66. IP65 with option OPV, overpressure relief valve or external setpoint adjustment knob.
Housing Material: Aluminum.
Finishing: Texture epoxy coat RAL7038.
Process Connections: 1/8" NPT female brass (SS optional). In presence of acetylene it is necessary to use SS.
Electrical Connections: Two 1/2" NPT female. Cable gland not included.
Weight: 11.9 lb (5.4 kg).
ATEX Approved Products from Comhas with ECN: BVI 14ATEX0072.
Agency Approvals: CE 1370 Ex II 2 GD Ex d IIC Gb T6; -60°C ≤ Ta ≤ +60°C Ex tb IIIC Db T 85°C.

MODEL CHART									
Example	AT21823	-00	-A	O	K1	1	X	T2	AT21823-00-AOK11XT2
Series	AT21823								ATEX approved 1823 differential pressure switch
Range		00 0 1 2 5 10 20 40 80							.08 to .22 in w.c. (18 to 56 Pa) .15 to .5 in w.c. (38 to 127 Pa) .3 to 1 in w.c. (76 to 254 Pa) 5 to 2 in w.c. (127 to 508 Pa) 1.5 to 5 in w.c. (381 to 1270 Pa) 2 to 10 in w.c. (.5 to 2.5 kPa) 3 to 22 in w.c. (.76 to 5.6 kPa) 5 to 44 in w.c. (1.27 to 11.17 kPa) 9 to 85 in w.c. (2.28 to 21.6 kPa)
Housing Material			A						Aluminum
Cover				B O					Blind Glass top cover
Setpoint Adjustment					K1 K2				Without external setpoint adjustment knob With external setpoint adjustment knob
Process Connection						1 2			1/8" NPT female brass ports 1/8" NPT female SS ports
Overpressure Plug							X OPV		Standard without overpressure relief valve Overpressure relief valve Material same as ports
Tag								T2	SS information label

Differential Pressure Switches