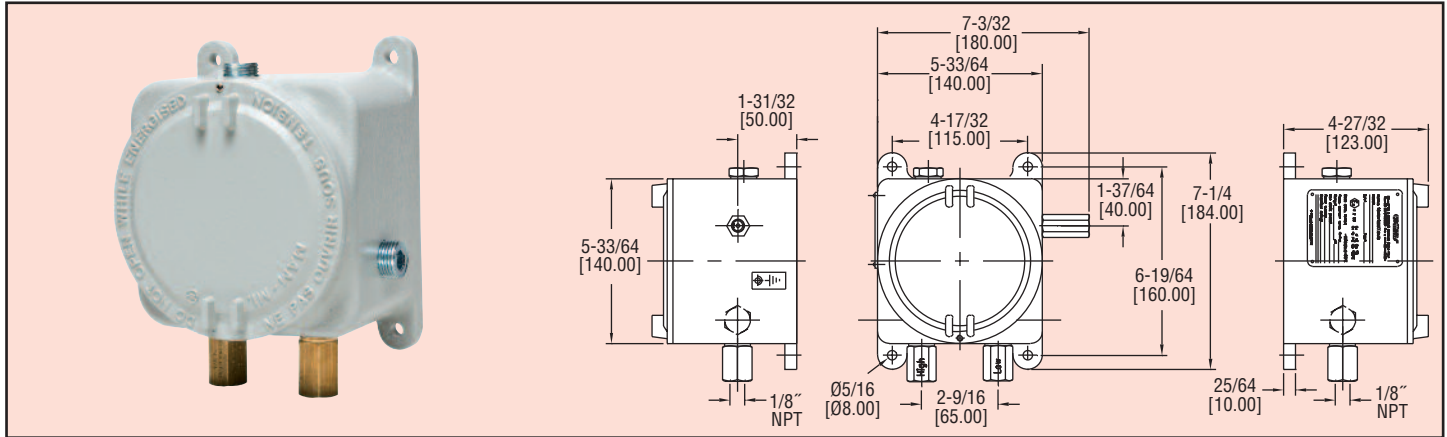




Series  
AT1  
1910

# ATEX Approved 1910 Differential Pressure Switch

Series 1910 in Flame-Proof ATEX Enclosure



Our most popular **Differential Pressure Switch** is now available in a flame-proof ATEX approved package in the AT11910 Series. This pressure switch combines advanced design and precision construction to make these switches able to perform many of the tasks of larger, costlier units. For air and non-combustible compatible gases, the AT11910 Series switches have set points from 0.07 to 20 in w.c. (1.8 to 508 mm). Set point adjustment is easy with range screw located inside the switch enclosure. Series AT11910 ATEX enclosures are available in aluminum enclosures and ideal for low pressure, hazardous area applications.

**Important notes for installation:**

- Cables must be fitted through 1/2" NPT cable gland or ATEX conduit (not supplied with instrument).
- Make sure after cabling to close tight cover and cable gland, in order to keep IP66 rating (IP65 with option OPV, overpressure relief valve).
- Open cover only after de-energizing instrument.
- **Attention:** Check local safety rules and warnings on unit and manual for a correct use of the instrument in hazardous area.

**SPECIFICATIONS**

- Service:** Air and non-combustible, compatible gases.
- Wetted Materials:** Consult factory.
- Temperature Limits:** -30 to 180°F (-34 to 82.2°C); Case: -76 to 140°F (-60 to 60°C) (**Note:** Product temperature limits differ from case).
- Pressure Limits:** 45 in w.c. (11.2 kPa) continuous, 10 psig (68.95 kPa) surge.
- Switch Type:** SPDT.
- Repeatability:** ±3% FS.
- Electrical Rating:** 15 A @ 120 to 480 VAC, 60 Hz. Resistive 1/8 HP @ 125 VAC, 1/4 HP @ 250 VAC, 60 Hz. Derate to 10 A for operation at high cycle rates.
- Mounting Orientation:** Diaphragm in vertical position.
- Set Point Adjustment:** Screw type on pressure switch inside the enclosure accessible by hole with plug on housing. Setpoint regulation must be done with instrument de-energized. Follow instructions and safety warning to open cover.
- Enclosure Rating:** IP66. IP65 with option OPV, overpressure relief valve.
- Housing Material:** Aluminum.
- Finishing:** Texture epoxy coat RAL7038.
- Process Connections:** 1/8" NPT female brass (SS optional). In presence of acetylene it is necessary to use SS.
- Electrical Connections:** Two 1/2" NPT female. Cable gland not included.
- Weight:** 7.49 lb (3.4 kg).
- ATEX Approved Products from Comhas with ECN:** BVI 14ATEX007.
- Agency Approvals:** CE 1370 Ex II2 GD Ex d IIC Gb T6; -60°C ≤ Ta ≤ +60°C Ex tb IIIC Db T 85°C.

Series	AT11910					
Range		-00				.07 to .15 in w.c. (17.5 to 37 Pa)
		-0				.15 to .55 in w.c. (7.5 to 137 Pa)
		-1				.4 to 1.6 in w.c. (100 to 398 Pa)
		-5				1.4 to 5.5 in w.c. (348.5 to 1368 Pa)
		-10				3 to 11.75 in w.c. (747 to 2924 Pa)
		-20				4 to 20 in w.c. (996 to 4977 Pa)
Housing Material		-A				Aluminum
Cover			B			Blind
Process Connection				1		1/8" NPT female brass ports
				2		1/8" NPT female SS ports
Overpressure Plug				X		Standard without overpressure relief valve
				OPV		Overpressure relief valve
						Material same as ports
Tag					T2	SS information label