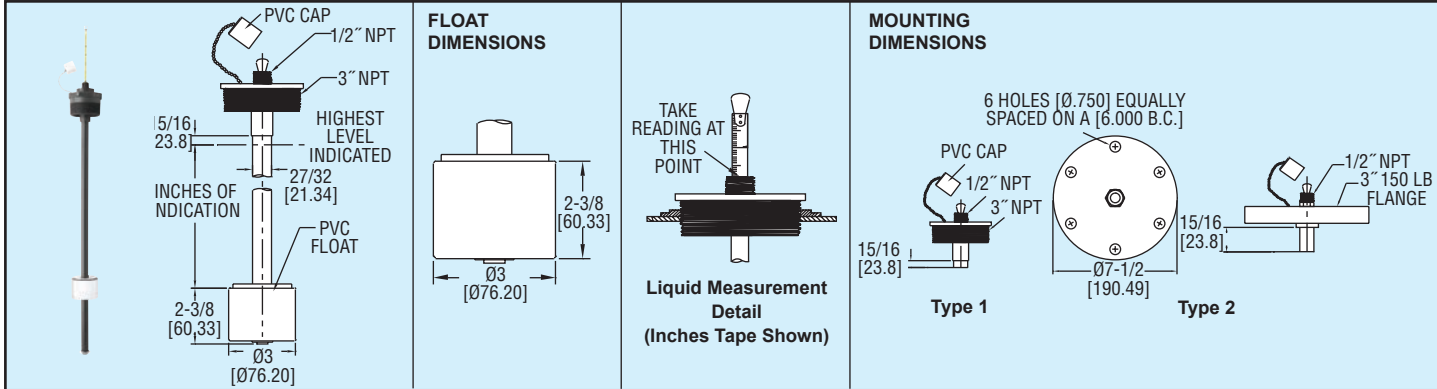




Series
DTP

Dip Tape Level Indicator Plastic

Customizable, Lightweight, No Electricity Needed



The **Series DTP** is a manual, no electricity required indicator that is compact, providing uninterrupted liquid level indication for use in storage tanks or vessels. With a sturdy, lightweight design, the DTP is ideal for 30 or 55 gallon tanks. Stem and mounting fixtures are available in PVC, PVDF, or polypropylene. With a choice of three highly resistive, engineered plastic materials, and large floats, the DTP provides rugged durability in almost any chemical tank. The float and stem are the only parts of the DTP that make contact with the liquid, so the indication tape is always clean and easy to read. It is simple to customize the DTP level indicator in order to meet a particular application requirement. A custom configurable DTP is available in lengths ranging from 6 in (15.2 cm) up to 6 ft (182.9 cm). This level indicator is ideal for quick readouts taken periodically. The DTP is accurate to 1/16 of an inch or 1 mm, and is especially useful in remote areas where power is unavailable, or undesirable.

PRINCIPLE OF OPERATION

The float located on the DTP is equipped with a magnet that moves with the liquid level, vertically, along the stem, inside the storage vessel. Level reading is acquired by simply removing the protective cap located on the top of the unit and lifting the calibrated measuring tape until the magnetic interlock with the float causes a slight pull. The indicator tape remains at this point while the level is read where the calibration aligns with the top of the mounting. The indicator tape can then be lowered back inside the unit stem for storage and protection.

SPECIFICATIONS

Service: Compatible liquids.
Wetted Materials: See model chart.
Temperature Limits: 40 to 140°F (4.4 to 60°C).

Pressure Limit: See model chart.
Mounting Orientation: Vertically in either vertical or horizontal tanks.
Indication Markings: 1/16 in or 1 mm increments.

Example	DTP	P	1	F1	N	6.00	DTP-P1F1N-6.00
Series	DTP						Dip Tape Plastic
Stem & Connection Material		P L F					PVC (only available with F1) Polypropylene (only available with F2) PVDF (only available with F3)
Connection Type			1 2				3" NPT 3" 150 # ANSI flange
Float Type				F1 F2 F3			Material PVC Polypropylene PVDF
							Min. s.g. 0.65 0.46 0.83
							Max. Pressure 50 psi (3.4 bar) 50 psi (3.4 bar) 50 psi (3.4 bar)
Indication Markings					N C		Inches, 1/16 in increments Centimeters, 1 mm increments
Length						00.00	6 to 72" (15.2 to 182.9 cm)*