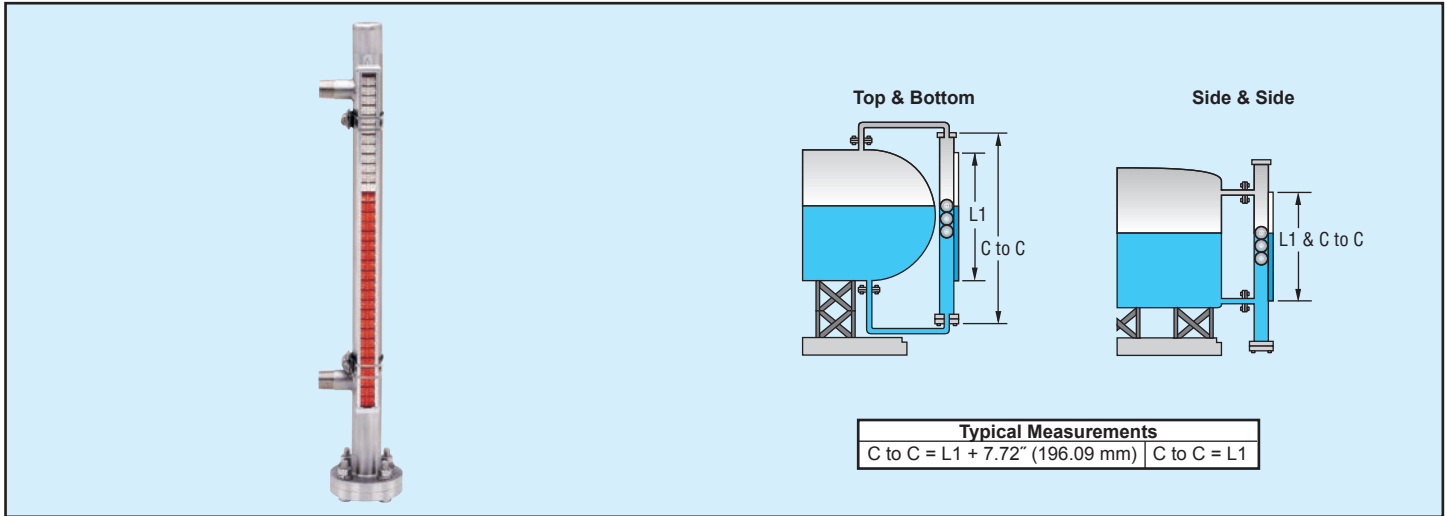




Series
MVR

Mini View-Rite Level Indicator

Customized, Visual Level Indication, Compact Size



Miniature custom level indicators are ideal for high-visibility level indication in tight spaces. All SS housing provides rugged durability with a diameter of only 1-1/4" (32 mm). Select the mounting type that will best fit your application and an indication length of up to 96" (244 cm). View-Rite level indicators incorporate a pressure tight housing with internal float that magnetically activates external level indication flags, switches, or transmitter.

Models are built to your specifications

SPECIFICATIONS

- Service:** Clean, low-viscosity liquids.
- Pressure Limits:** ≤300°F, 400 psi (27.6 bar); ≥ 300°F, 373 psi (25.7 bar).
- Tube Diameter:** 1-1/4" (32 mm).

OPTIONAL SWITCH MODULES

- Clamp onto the level indicator. SPST, rated .17A @ 120 VAC, .08A @ 240 VAC, .13A @ 120 VDC, .06A @ 240 VDC.
- MVR-S1,** Maximum temperature is 300°F (148.9°C). Polysulfone with 1/4" female NPT conduit connection.
- MVR-S2,** Maximum temperature is 750°F (399°C). 316 SS with 1/2" male NPT conduit connection.
- MVR-S3,** Maximum temperature is 750°F (399°C). Explosion-proof terminal box with 1/2" female NPT conduit connection.

Example	MVR	S	SS	1	TP	D	0.8	150	090	080	P	1	I	MVR-SSS1-TPD-0.8-150-090-080P1-I
Construction	MVR													Mini View-Rite Level Indicator
Wetted Materials		S												316 L SS Housing, 316 L SS Float, Fluoroelastomer O-ring
Configuration			TB											Top/Bottom Connections Side/Side Connections
Process Connection				1										1/2" NPT (Female on TB, and Male on SS Configuration) 1/2" 150# RF Flange
Float Access					TP									Top Bottom Top and Bottom (Only with SS Configuration)
Drain and Vent						N								None Drain, 1/2" female NPT (Only with SS Configuration) Vent, 1/2" female NPT (Only with SS Configuration) Drain and Vent (Only with SS Configuration)
Spec. Gravity							0.0							Specific Gravity of fluid, minimum 0.8
Operating Pressure								000						Operating Pressure, in psi. Maximum is 400 psi (27.6 bar)
Operating Temperature									000					Operating Temperature of the fluid, in °F. Maximum is 400°F (204°C)
Indicating Length, L1										000				Length of level indicator, in whole inches. Maximum of 240" (6.1 m); Minimum of 6" (15.25 cm)
Indicating Flags											P			Plastic, white and orange [300°F (149°C) maximum] Aluminum, silver and black
Visual Indicating Scale												N		None
												1		Feet and Inches
												2		Inches Only
Output Options													I	4 to 20 mA transmitter of level [300°F (149°C) maximum]
													V	0 to 5 VDC transmitter of level